

Reactor Control

Enhance Your Jacketed Lab Reactor Improve Control, Capture, and Reporting



One Simple, Standard Interface

The single touchscreen interface provides a consistent control platform across all laboratory reactors. Operating with one interface allows scientists to consistently control reactors on any scale from milliliters to multi-liter scale reducing human errors and training cost.



100% Data Capture

Automatically collect process data from all laboratory reactors and sensors, together with data from *in situ* instruments (eg. pH, ParticleTrack™, ReactIR™, EasySampler™). Ensure that all data is automatically captured guaranteeing that important information will never be lost again.



Unattended, 24/7

Unattended task sequences or advanced recipes can be set up through the touchscreen or the powerful iC software suite. The iC software and the touchscreen offer bi-directional control meaning scientists may apply both local and PC control to increase productivity, 24 hours a day.



Powerful Reporting

Reduce the time needed to merge process and analytical data, visualize and identify key reaction events, and develop reports which lead to better decisions for improved process development and optimization.



RX-10™ – Reactor Control and Capture

RX-10 combines the familiar METTLER TOLEDO reactor control touchscreen with various plug-and-play interfaces to control and monitor results from a broad range of jacketed lab reactors. Automate your jacketed laboratory reactor, by programming thermostat temperature, liquid dosing, and sampling, and integrating process analytical technology for data rich experiments, day or night. Extend control with computer-based software for remote monitoring, analysis, and reporting. Reactor automation and data capture allows scientists and engineers to perform more successful experiments, make informed decisions faster, and increase productivity.

GPE SCIENTIFIC LTD
GREAVES WAY INDUSTRIAL ESTATE
STANBRIDGE ROAD
LEIGHTON BUZZARD
BEDFORDSHIRE
LU7 4UB

Tel: +44 (0) 1525 382277
Fax: +44 (0) 1525 382263
e-mail: info@gpescientific.co.uk
web: www.gpescientific.co.uk



METTLER TOLEDO

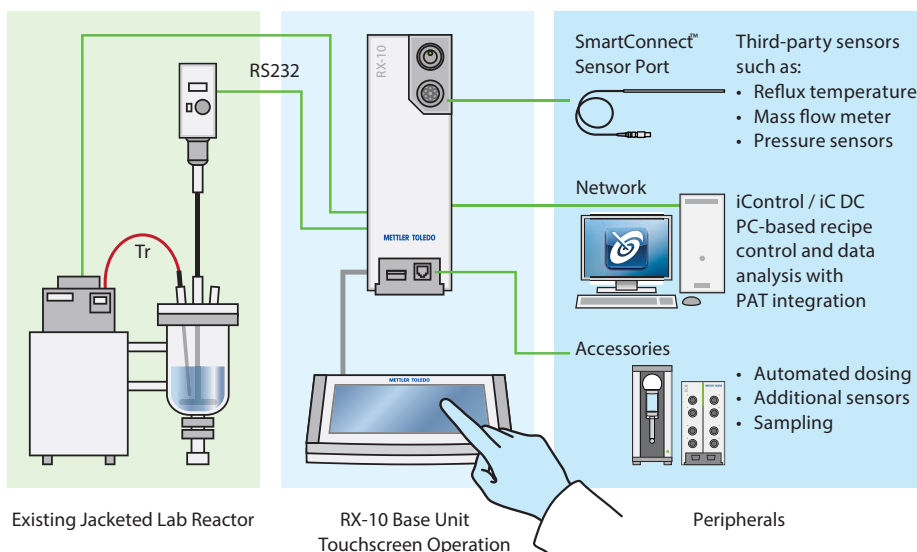


Enhance Your Jacketed Lab Reactor

Improve Control, Capture, and Reporting

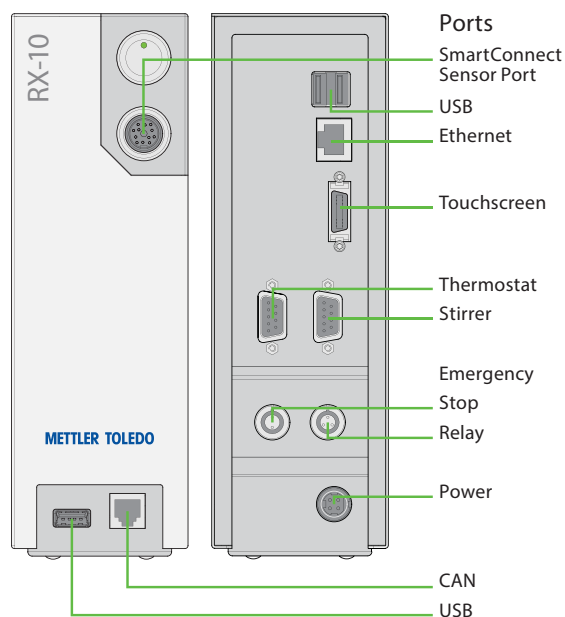
Simple and Flexible

With flexible plug-and-play connections to a wide range of hardware including thermostats, stirrer motors, dosing pumps, and sensors; researchers bring new levels of automation and simplicity to the chemical development and process optimization laboratory. Third-party accessories such as Pt100 or other sensors are quickly connected with the flexible Smart Connect plug-and-play sensor port and ready to go within minutes.



Technical Data

Thermostats	Huber, Julabo – all models with RS232 port
Temperature Range	Full range supported by Huber or Julabo thermostats (-120 °C to 425 °C)
Stirrers	IKA, Heidolph, J-KEM – all models with RS232 port
Volume Range / Reactors	No limitations to reactor type or volume
SmartConnect Sensor Port (plug-and-play)	Pt100 4 wires (RTD) Voltage -10 to +10 V (input) Current 0 to 20 mA (input)
Connectivity and Data Transfer	Ethernet: Communication to PC (iControl/iC Data Center) CAN: Interface for plug-and-play accessories USB: Data export to USB stick
Supported Languages	English, German, French, Spanish, Japanese, Chinese
Safety Features	Emergency button- immediate execution of emergency program Emergency relays- connect audible or visual alert
Dimensions, WxDxH	70 mm x 152 mm x 215 mm (2.75" x 5.98" x 8.46")
Weight	2.88 kg, including touchscreen



GPE SCIENTIFIC LTD
GREAVES WAY INDUSTRIAL ESTATE
STANBRIDGE ROAD
LEIGHTON BUZZARD
BEDFORDSHIRE
LU7 4UB

Tel: +44 (0) 1525 382277
Fax: +44 (0) 1525 382263

e-mail: info@gpescientific.co.uk
web: www.gpescientific.co.uk



METTLER TOLEDO