

Remote Operation: Standard version



#16160-25
25m



Note

If only the Pilot ONE is separated from the Huber unit, the CAN Switch is not necessary. If required, it can be added any time.

Remote Operation: Version 1



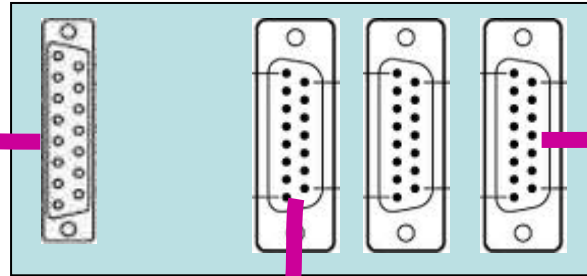
#16160-25
25m included

Huber Unit

Com.G@te

VPC

Pilot ONE



#16160-3
3m



CAN Switch
Order No.: #10243

#16160-3
3m



Note

- The following accessory is required:
- + CAN Switch
 - + Connection cable 3m for Pilot ONE
 - + Connection cable 3m for Com.G@te

Remote Operation: Version 2



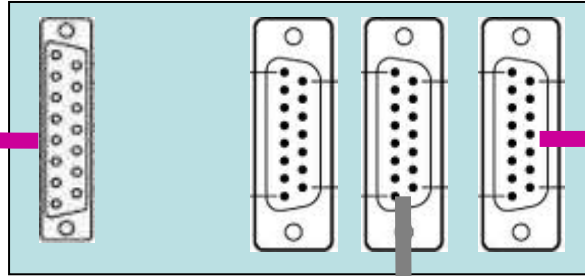
#16160-25
25m included

Huber Unit

Com.G@te

VPC

Pilot ONE



#16160-3
3m

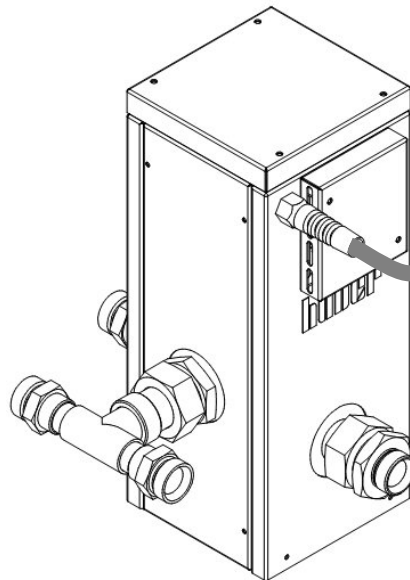


CAN Switch
Order No.: #10243

Cable at VPC bypass
3m fixed

Note

- The following accessory is required:
- + CAN Switch
 - + Connection cable 3m for Pilot ONE



Remote Operation: Version 3



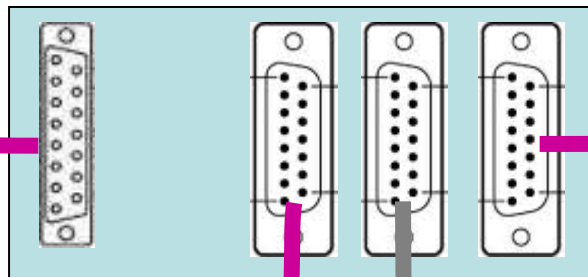
#16160-25
25m included

Huber Unit

Com.G@te

VPC

Pilot ONE



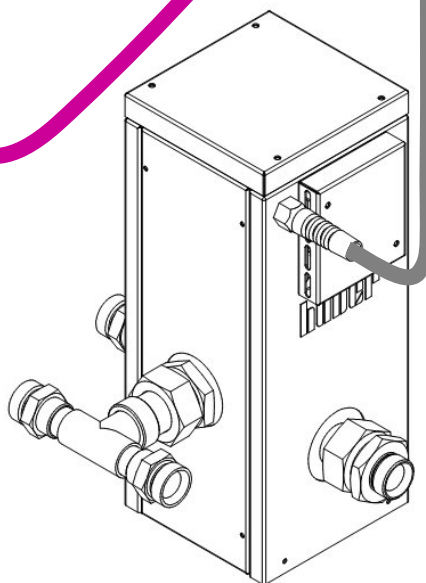
#16160-3
3m



CAN Switch
Order No.: #10243

Cable at VPC bypass
3m fixed

#16160-3
3m



Note

- The following accessory is required:
- + CAN Switch
 - + Connection cable 3m for Pilot ONE
 - + Connection cable 3m for Com.G@te

Remote Operation: Maximum lengths for spec.



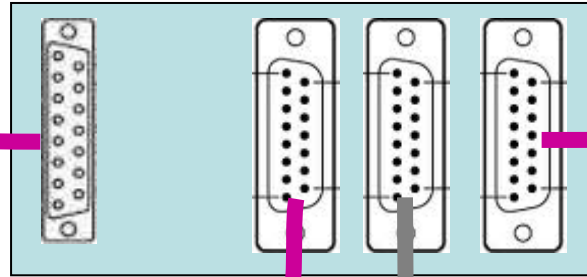
#16160-x
3m to max. 50m

Huber Unit

Com.G@te

VPC

Pilot ONE



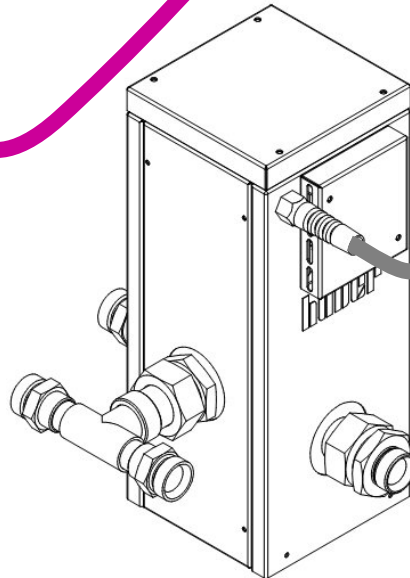
#16160-x
3m to max. 50m



#16160-x
max. 10m

CAN Switch
Order No.: #10243

Cable at VPC bypass
3m fixed



Note

The maximum possible cable lengths are specified. Special lengths are available on request.