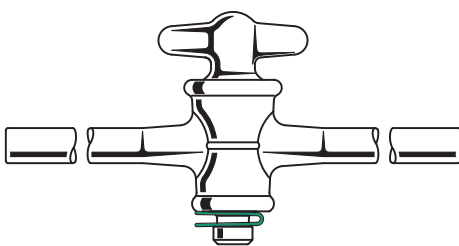


# STOPCOCKS

## CG-400 STOPCOCK, STRAIGHT BORE, GLASS PLUG

The 1mm through 6mm bore sizes are supplied complete with the listed size metal retaining clip CG-423. The 8mm and 10mm bore sizes are supplied with a #29 and #34 CG-145 Keck clip respectively.

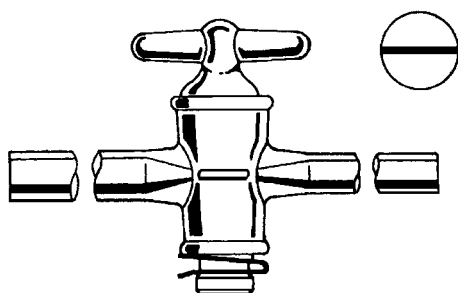


**CG-400**

Part Number	Bore Size (mm)	Plug Size	Sidearm OD (mm)	Clip Size
CG-400-01	1	12/30	8	#1
CG-400-02	2	12/30	8	#1
CG-400-03	3	17/40	10	#4
CG-400-04	4	17/40	10	#4
CG-400-05	6	20/44	12	#5
CG-400-06	8	25/52	16	#29 Keck
CG-400-07	10	35/56	19	#34 Keck

### Replacement Plug for CG-400 Glass Stopcock:

Part Number	Bore Size (mm)	Plug Size
CG-400-99	1	12/30
CG-400-98	2	12/30
CG-400-97	3	17/40
CG-400-96	4	17/40
CG-400-95	6	20/44
CG-400-94	8	25/52
CG-400-93	10	35/56



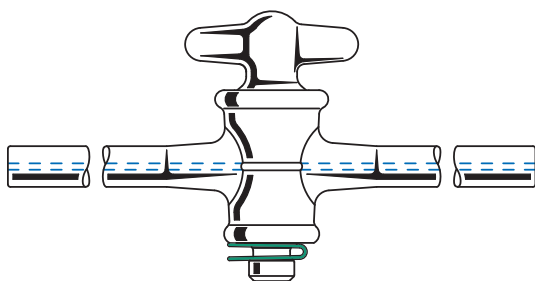
**CG-402**

## CG-402 STOPCOCK, STRAIGHT BORE, GLASS PLUG, 1-ARM LARGER

Similar to CG-400, but with one arm of the stopcock being of a larger diameter. Larger arm facilitates construction of stronger apparatus such as separatory funnels and burets. Supplied complete with the listed size metal retaining clip CG-423.

Part Number	Bore Size (mm)	Plug Size	Sidearm OD (mm)	Clip Size
CG-402-01	2	12/30	8 & 10	#1
CG-402-02	4	17/40	10 & 12	#4
CG-402-03	6	20/44	12 & 16	#5

For Replacement Plugs, See CG-400 Listing



**CG-406**

## CG-406 STOPCOCK, STRAIGHT BORE, GLASS PLUG, CAPILLARY ARMS

Similar to CG-400, but with the sidearms being made of capillary tubing having the same bore as the plug. Supplied complete with metal retaining clip CG-423.

Part Number	Bore Size (mm)	Plug Size	Sidearm OD (mm)	Clip Size
CG-406-02	2	12/30	7.5	#1

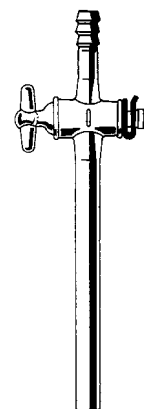
For Replacement Plugs, See CG-400 Listing

# STOPCOCKS

## CG-409 STOPCOCK, STRAIGHT BORE, SCHLENK, GLASS PLUG,

This stopcock is especially designed for the repair of the sidearm on Schlenk vessels. Stopcocks are available in two styles with a standard snelling to accept a CG-423-01 metal retaining clip, or having an extended snelling to accept our constant pressure S.S. retention kit spring and clip. Stopcock has a heavy duty, larger diameter (10mm OD) sidearm which makes an exceptionally strong seal to the Schlenk vessel. The hose connection has an 8mm OD and is 35mm in length. For replacement components see CG-400 for plain snelling or CG-462 for the constant pressure style.

Part Number	Plug Style	Bore Size (mm)	Plug Size
CG-409-01	Plain Snelling	2	12/30
CG-409-02	Constant Pressure	2	12/30



CG-409

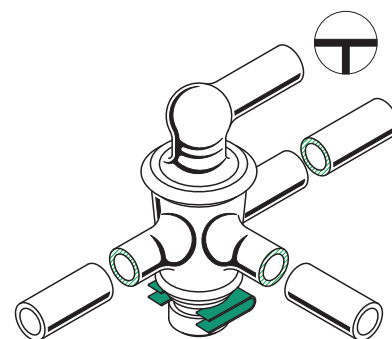
## CG-410 STOPCOCK, T-BORE, GLASS PLUG

Stopcock has three sidearms sealed 90° apart. The solid glass plug has a "T" shaped bore so that any two or all three sidearms can be connected at one time. All sizes except for the 6mm bore size (25/52 plug size) are supplied complete with a metal retaining device CG-423. The 25/52 plug size is supplied complete with a #29 CG-145 Keck clip.

Part Number	Bore Size (mm)	Plug Size	Sidearm OD (mm)	Clip Size
CG-410-01	2	12/30	8	#1
CG-410-02	2	17/40	8	#1
CG-410-03	4	17/40	10	#4
CG-410-04	4	20/44	12	#5
CG-410-05	6	20/44	12	#5

### Replacement Plug for CG-410 Glass Stopcock:

Part Number	Bore Size (mm)	Plug Size
CG-410-91	2	12/30
CG-410-90	2	17/40
CG-410-89	4	17/40
CG-410-88	4	20/44
CG-410-87	6	20/44



CG-410

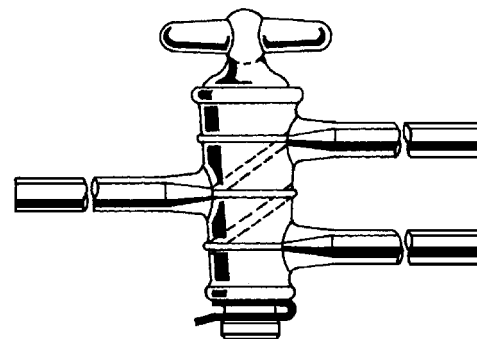
## CG-414 STOPCOCK, DOUBLE OBLIQUE BORE, GLASS PLUG

Stopcock has a solid glass plug having parallel diagonal bores. Supplied complete with metal retaining clip CG-423.

Part Number	Bore Size (mm)	Plug Size	Sidearm OD (mm)	Clip Size
CG-414-01	2	14.5/50	8	#1
CG-414-02	4	16.2/56	10	#3

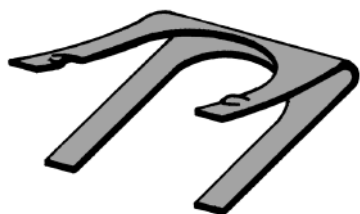
### Replacement Plug for CG-414 Glass Stopcock:

Part Number	Bore Size (mm)	Plug Size
CG-414-83	2	14.5/50
CG-414-82	4	16.2/56



CG-414

# STOPCOCKS



**CG-423**

## CG-423 CLIP, STOPCOCK

Metal retaining clip is designed to apply pressure against the stopcock plug and barrel. Clips eliminate blow-out and loose fit while minimizing freezing. They are made from high carbon tempered spring steel having a green corrosive resistant, phosphate base finish. **SOLD 12/PKG.**

Part Number	Clip Size	Pk6 Qty
CG-423-01	#1	12
CG-423-02	#2	12
CG-423-04	#4	12
CG-423-05	#5	12

## CG-424 STOPCOCK, STRAIGHT BORE, TEFLON PLUG

Straight bore stopcock having a 1:5 taper solid Teflon plug.

Part Number	Bore Size (mm)	Plug Size	Sidearm OD (mm)
CG-424-01	1	11/25	7
CG-424-03	2	11/25	8
CG-424-04	3	15.2/30	10
CG-424-05	4	15.2/30	10
CG-424-07	6	16/35	12
CG-424-08	8	24/40	16
CG-424-09	10	24/40	16

### Replacement Plug for CG-424 Teflon Stopcock:

Part Number	Bore Size (mm)	Plug Size
CG-424-79	1	11/25
CG-424-77	2	11/25
CG-424-76	3	15.2/30
CG-424-75	4	15.2/30
CG-424-73	6	16/35
CG-424-72	8	24/40
CG-424-71	10	24/40

## CG-425 STOPCOCK, STRAIGHT BORE, MICRO TEFLON PLUG

Used in the fabrication of small scale apparatus, especially apparatus that has weight restrictions. Teflon plug has a 1:5 taper.

Part Number	Bore Size (mm)	Plug Size	Sidearm OD (mm)
CG-425-01	1	10/15	1/4"

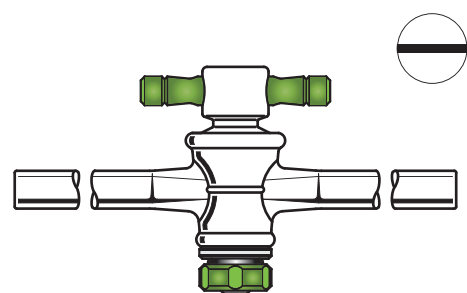
### Replacement Plug for CG-425 Teflon Stopcock:

Part Number	Bore Size (mm)	Plug Size
CG-425-20	1	10/15

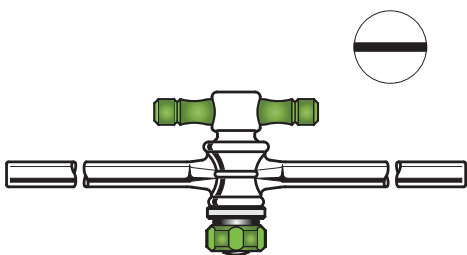
## CG-426 STOPCOCK, GLASS SHELL ONLY FOR TEFLON PLUG

Glass portion only of CG-425 stopcock. Accepts 1:5 taper Teflon plugs.

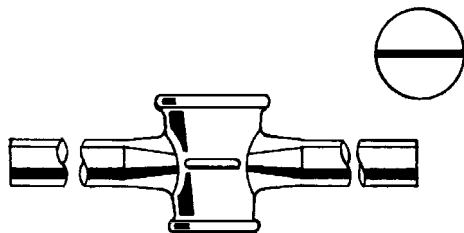
Part Number	Bore Size (mm)	Barrel Size	Sidearm OD (mm)
CG-426-03	1, 1.5 & 2	11/25	8
CG-426-05	3 & 4	15.2/30	10
CG-426-07	5 & 6	16/35	12
CG-426-08	8 & 10	24/40	16



**CG-424**



**CG-425**



**CG-426**

# STOPCOCKS

## CG-428 STOPCOCK, STRAIGHT BORE, 1-ARM LARGER, TEFLON PLUG

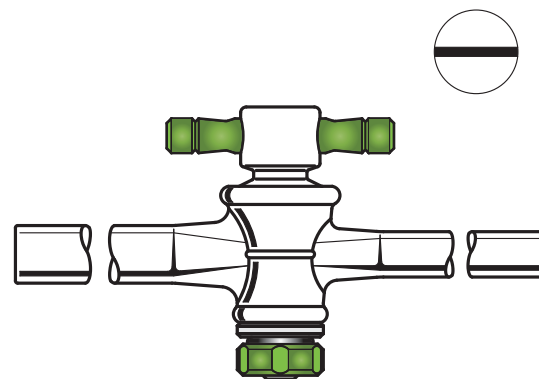
Similar to CG-424 but with one arm of the stopcock being of a larger diameter. Larger arm facilitates construction of stronger apparatus such as separatory funnels and burets. Available complete with 1:5 taper Teflon plug or glass shell only.

### Complete with Teflon Plug:

Part Number	Bore Size (mm)	Plug Size	Sidearm OD (mm)
CG-428-01	2	11/25	8 & 10
CG-428-02	4	15.2/30	10 & 12
CG-428-03	6	16/35	11 & 12

### Glass Shell Only:

Part Number	Bore Size (mm)	Plug Size	Sidearm OD (mm)
CG-428-20	2	11/25	8 & 9
CG-428-22	4	15.2/30	10 & 12
CG-428-24	6	16/35	11 & 12



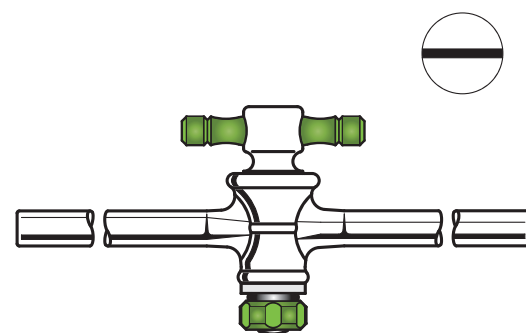
CG-428

## CG-430 STOPCOCK, STRAIGHT BORE, 1-ARM CAPILLARY, TEFLON PLUG

Similar to CG-424, but with one arm being made of 2mm ID capillary tubing.

Part Number	Bore Size (mm)	Plug Size	Sidearm OD (mm)
CG-430-01	2	11/25	7 & 8

For Replacement Plugs, See CG-424 Listing



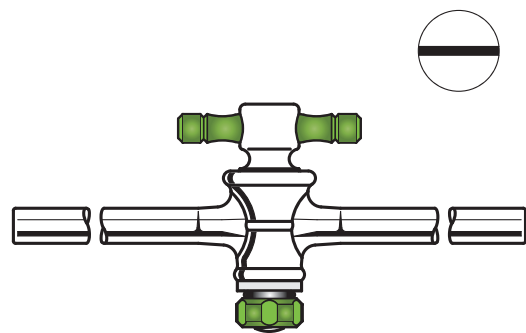
CG-430

## CG-432 STOPCOCK, STRAIGHT BORE, CAPILLARY ARMS, TEFLON PLUG

Similar to CG-424, but with both arms being made of 2mm ID capillary tubing.

Part Number	Bore Size (mm)	Plug Size	Sidearm OD (mm)
CG-432-01	2	11/25	7

For Replacement Plugs, See CG-424 Listing



CG-432

## CG-434 STOPCOCK, STRAIGHT BORE, METERING, TEFLON PLUG

A 1:5 taper Teflon plug having a threaded needle valve to allow the adjustment of flow through the bore of the plug.

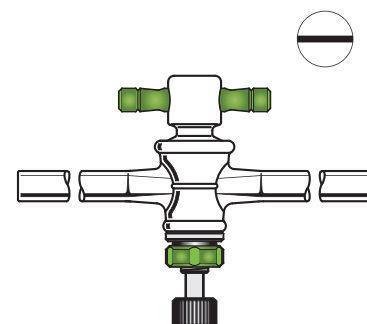
Part Number	Bore Size (mm)	Plug Size	Sidearm OD (mm)
CG-434-01	2	11/25	8
CG-434-02	4	15.2/30	10

### Replacement Plug for CG-434 Teflon Stopcock:

Part Number	Bore Size (mm)	Plug Size
CG-434-70	2	11/25
CG-434-69	4	15.2/30

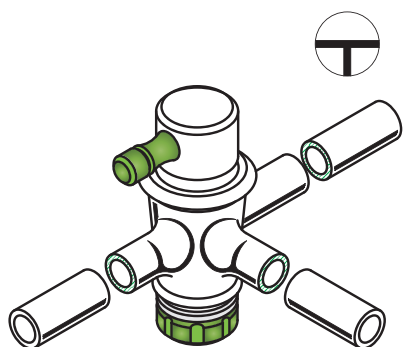
### Replacement O-Rings To Fit Needle Valve Stem (6/Pkg):

Part Number	To Fit Plug Size	O-Ring Size
CG-434-87	11/25	#5-101
CG-434-88	15.2/30	#5-125



CG-434

# STOPCOCKS



**CG-436**

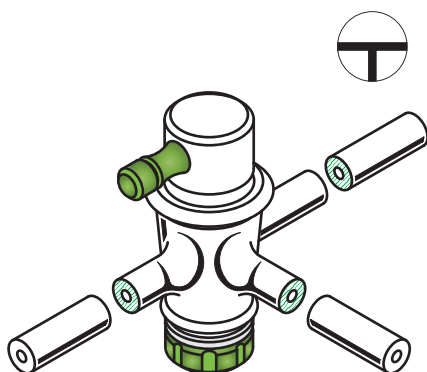
## CG-436 STOPCOCK, T-BORE, TEFLON PLUG

A 1:5 taper Teflon stopcock with three stems sealed 90° apart. Teflon plug has a "T" shaped bore to connect any two or all three stems.

Part Number	Bore Size (mm)	Plug Size	Sidearm OD (mm)
CG-436-01	2	15.2/30	8
CG-436-02	4	16/35	10
CG-436-03	6	24/40	12

### Replacement Plug for CG-436 Teflon Stopcock:

Part Number	Bore Size (mm)	Plug Size
CG-436-67	2	15.2/30
CG-436-66	4	16/35
CG-436-65	6	24/40



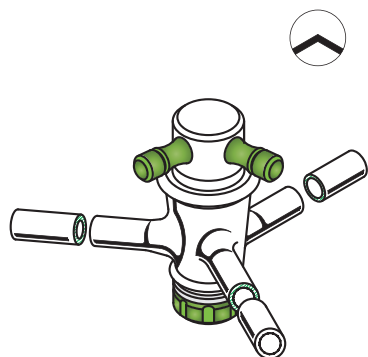
**CG-438**

## CG-438 STOPCOCK, T-BORE, CAPILLARY ARMS, TEFLON PLUG

Similar to CG-424, but with all three arms being made of 2mm ID capillary tubing.

Part Number	Bore Size (mm)	Plug Size	Sidearm OD (mm)
CG-438-01	2	15.2/30	7

For Replacement Plugs, See CG-436 Listing:



**CG-440**

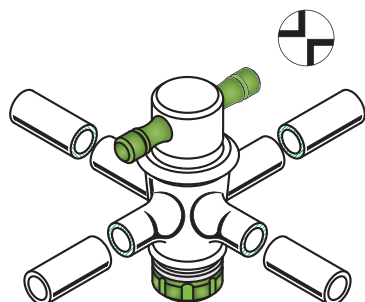
## CG-440 STOPCOCK, 120° BORE, TEFLON PLUG

A 1:5 taper Teflon stopcock with three sidearms sealed 120° apart. Plug has a bore to allow connection of any two arms at once.

Part Number	Bore Size (mm)	Plug Size	Sidearm OD (mm)
CG-440-01	2	15.2/30	8
CG-440-02	4	16/35	10

### Replacement Plug for CG-440 Teflon Stopcock:

Part Number	Bore Size (mm)	Plug Size
CG-440-64	2	15.2/30
CG-440-63	4	16/35



**CG-443**

## CG-443 STOPCOCK, FOUR WAY, TEFLON PLUG

A 1:5 taper Teflon plug having double "V", 90° bores to connect opposite sets of adjacent arms. Configuration of stopcock allows it to be used in a system to obtain reversal of flow.

Part Number	Bore Size (mm)	Plug Size	Sidearm OD (mm)
CG-443-01	2	15.2/30	8

### Replacement Plug for CG-443 Teflon Stopcock:

Part Number	Bore Size (mm)	Plug Size
CG-443-55	2	15.2/30

# STOPCOCKS

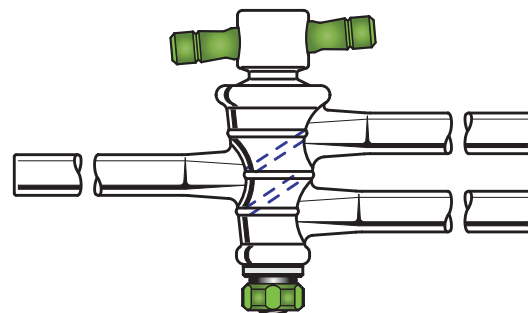
## CG-446 STOPCOCK, DOUBLE OBLIQUE BORE, TEFLON PLUG

A 1:5 taper Teflon stopcock with two parallel diagonal bores.

Part Number	Bore Size (mm)	Plug Size	Sidearm OD (mm)
CG-446-02	2	12.9/44	8
CG-446-03	3	14.4/44	10
CG-446-04	4	14.4/44	10
CG-446-05	6	20/65	12

### Replacement Plug for CG-446 Teflon Stopcock:

Part Number	Bore Size (mm)	Plug Size
CG-446-60	2	12.9/44
CG-446-59	3	14.4/44
CG-446-58	4	14.4/44
CG-446-57	6	20/65



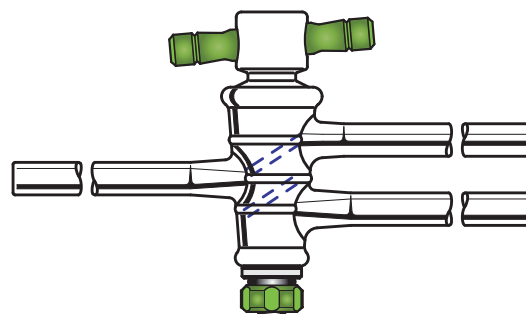
CG-446

## CG-448 STOPCOCK, DOUBLE OBLIQUE BORE, 1-ARM CAPILLARY TEFLON PLUG

Similar to CG-446, but with the top oblique stem being made of 2mm ID capillary tubing.

Part Number	Bore Size (mm)	Plug Size	Sidearm OD (mm)
CG-448-01	2	12.9/44	7 & 8

For Replacement Plugs, See CG-446 Listing



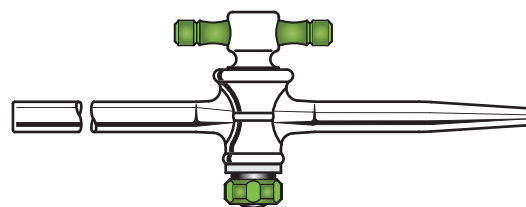
CG-448

## CG-452 STOPCOCK, BURET, TEFLON PLUG

For replacement or construction of burets having a 1:5 Teflon stopcock plug. One arm is pulled to a delivery tip.

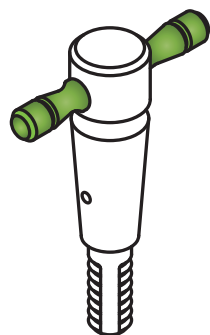
Part Number	Bore Size (mm)	Plug Size	Sidearm OD (mm)
CG-452-01	2	11/25	8

For Replacement Plugs, See CG-424 Listing



CG-452

# STOPCOCKS

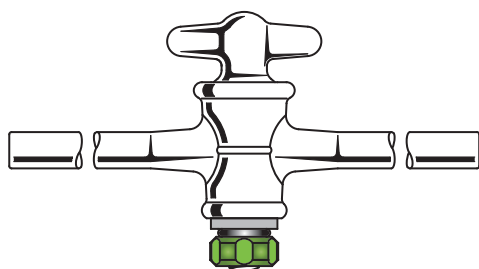


**CG-457**

## CG-457 REPLACEMENT COMPONENTS FOR 1:5 TAPER TEFLON PLUGS

Replacement components for 1:5 taper Teflon plugs. O-rings are Viton, nuts are green, and washers are white. **SOLD 12/PKG.**

Part Number	Plug Size	Description
CG-457-01	11/25	O-Ring
CG-457-02	11/25	Washer
CG-457-03	11/25	Nut
CG-457-04	12/35	O-Ring
CG-457-05	12/35	Washer
CG-457-06	12/35	Nut
CG-457-07	12.9/44	O-Ring
CG-457-08	12.9/44	Washer
CG-457-09	12.9/44	Nut
CG-457-10	14.4/44	O-Ring
CG-457-11	14.4/44	Washer
CG-457-12	14.4/44	Nut
CG-457-13	15.2/30	O-Ring
CG-457-14	15.2/30	Washer
CG-457-15	15.2/30	Nut
CG-457-16	16/35	O-Ring
CG-457-17	16/35	Washer
CG-457-18	16/35	Nut
CG-457-19	24/40	O-Ring
CG-457-20	24/40	Washer
CG-457-21	24/40	Nut

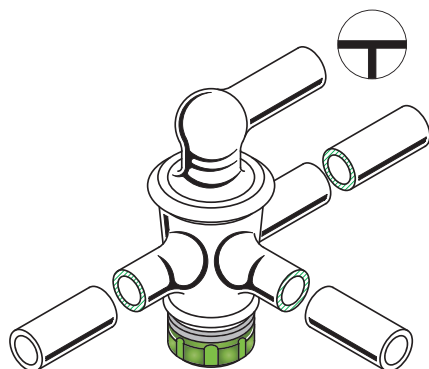


**CG-458**

## CG-458 STOPCOCK, STRAIGHT BORE, PRESSURE, GLASS PLUG

Solid glass plug has a threaded glass snelling which accepts an assembly similar to the one supplied with standard Teflon stopcocks. This consists of a Teflon washer, Teflon nut and Viton O-ring. Assembly provides for uniform seating tension to be applied to the plug which is precision ground and hand-lapped with corresponding numbers on the barrel and plug.

Part Number	Bore Size (mm)	Plug Size	Sidearm OD (mm)
CG-458-01	2	12/30	8
CG-458-02	4	17/40	10



**CG-459**

## CG-459 STOPCOCK, T-BORE, PRESSURE, GLASS PLUG

Similar to CG-458, but with three stems sealed 90° apart. Solid glass plug has a "T" shaped bore so that any two or all three arms can be connected at one time. Plug is precision ground and hand-lapped with corresponding numbers on the barrel and plug.

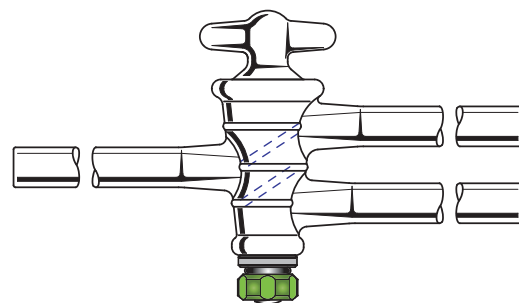
Part Number	Bore Size (mm)	Plug Size	Sidearm OD (mm)
CG-459-01	2	17/40	8

# STOPCOCKS

## CG-460 STOPCOCK, DOUBLE OBLIQUE, PRESSURE, GLASS PLUG

Similar to CG-458, but with two parallel oblique bores. Plug is precision ground and hand-lapped with corresponding numbers on the barrel and plug.

Part Number	Bore Size (mm)	Plug Size	Sidearm OD (mm)
CG-460-01	2	14.5/50	8
CG-460-02	4	16.2/56	10



CG-460

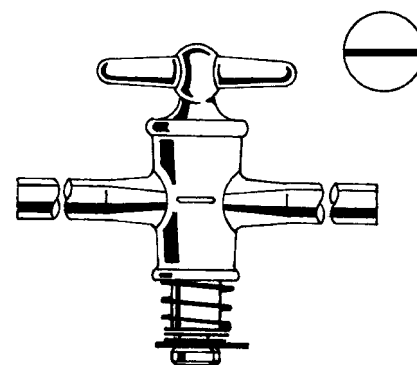
## CG-462 STOPCOCK, HIGH VACUUM, STRAIGHT BORE, GLASS PLUG

Solid glass high vacuum stopcock with the **NEW Chemglass** improved constant pressure retention device. This unique retaining system incorporates a glass plug having an extended snelling which accepts a stainless steel spring and clip. The spring keeps constant tension on the plug at all times and is easily removed and attached. Plug is precision ground and hand-lapped with corresponding numbers on the barrel and plug. Each stopcock is supplied complete with a stainless steel spring and clip. Replacement retention kit consists of one spring and clip for the plug size listed.

Part Number	Bore Size (mm)	Plug Size	Sidearm OD (mm)
CG-462-01	2	12/30	8
CG-462-02	4	17/40	10
CG-462-03	6	20/44	12

### Replacement S.S. Retention Kit for CG-462 Glass Stopcocks:

Part Number	Plug Size
CG-469-20	12/30
CG-469-21	17/40
CG-469-22	20/44



CG-462

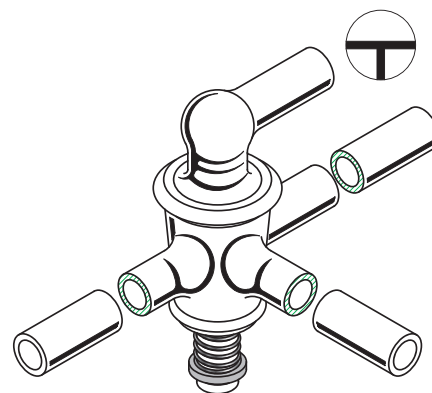
## CG-464 STOPCOCK, HIGH VACUUM, T-BORE, GLASS PLUG

Solid glass high vacuum stopcock with the **NEW Chemglass** improved constant pressure retention device. This unique retaining system incorporates a glass plug having an extended snelling which accepts a stainless steel spring and clip. The spring keeps constant tension on the plug at all times and is easily removed and attached. Similar to CG-462, but with three stems sealed 90° apart. Solid glass plug has a "T" shaped bore so that any two or all three arms can be connected at one time. Plug is precision ground and hand-lapped with corresponding numbers on the barrel and plug. Each stopcock is supplied complete with a stainless steel spring and clip. Replacement retention kit consists of one spring and clip for the plug size listed.

Part Number	Bore Size (mm)	Plug Size	Sidearm OD (mm)
CG-464-01	2	12/30	8
CG-464-02	4	17/40	10
CG-464-03	6	20/44	12

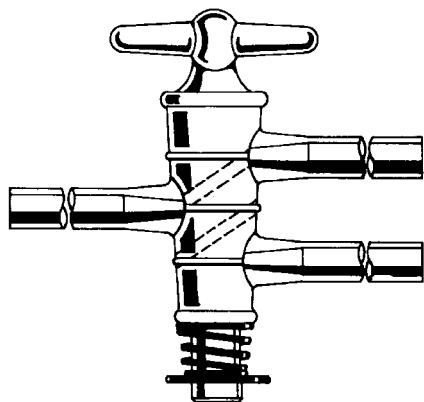
### Replacement S.S. Retention Kit for CG-464 Glass Stopcocks:

Part Number	Plug Size
CG-469-20	12/30
CG-469-21	17/40
CG-469-22	20/44



CG-464

# STOPCOCKS



**CG-468**

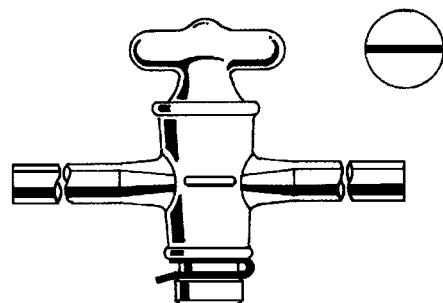
## CG-468 STOPCOCK, HIGH VACUUM, DOUBLE OBLIQUE BORE, GLASS PLUG

Solid glass high vacuum stopcock with the *NEW Chemglass* improved constant pressure retention device. This unique retaining system incorporates a glass plug having an extended snelling which accepts a stainless steel spring and clip. The spring keeps constant tension on the plug at all times and is easily removed and attached. Similar to CG-458, but with two parallel oblique bores. Plug is precision ground and hand-lapped with corresponding numbers on the barrel and plug. Each stopcock is supplied complete with a stainless steel spring and clip. Replacement retention kit consists of one spring and clip for the plug size listed.

Part Number	Bore Size (mm)	Plug Size	Sidearm OD (mm)
CG-468-02	4	16.2/56	10

### Replacement S.S. Retention Kit for CG-468 Glass Stopcocks:

Part Number	Plug Size
CG-469-23	16.2/56

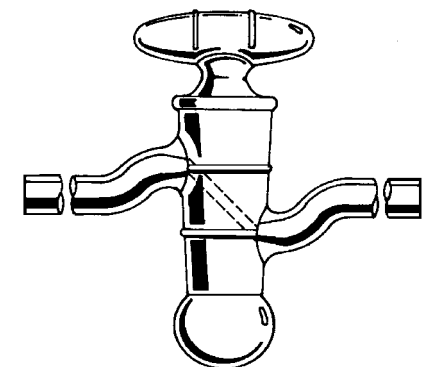


**CG-471**

## CG-471 STOPCOCK, HOLLOW PLUG, STRAIGHT BORE, HIGH VACUUM GLASS PLUG

Hollow plug, straight bore stopcock is precision ground and hand-lapped with corresponding numbers on barrel and plug. The 2mm through 6mm bore are supplied complete with the listed size metal retaining clip CG-423. The 8mm bore is supplied complete with a #29 Keck clip CG-145.

Part Number	Bore Size (mm)	Plug Size	Sidearm OD (mm)	Clip Size
CG-471-01	2	12/30	8.0	#1
CG-471-02	4	17/40	10.0	#4
CG-471-03	6	20/44	12.7	#5
CG-471-04	8	25/52	16.0	#29 Keck

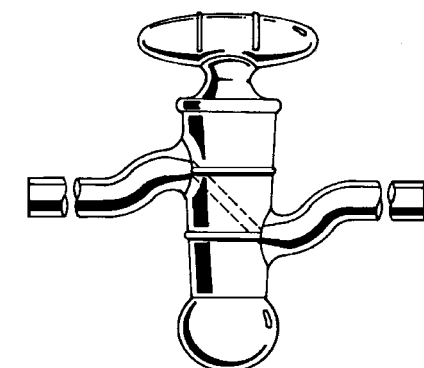


**CG-472**

## CG-472 STOPCOCK, HOLLOW PLUG, OBLIQUE, HIGH VACUUM, GLASS PLUG

Hollow plug, oblique bore stopcock is precision ground with corresponding numbers on barrel and plug. Lower vacuum chamber is evacuated via a separate hole in the plug which is not in the line of flow.

Part Number	Bore Size (mm)	Plug Size	Sidearm OD (mm)
CG-472-01	2	12.6/40	8
CG-472-02	4	17.35/50	10



**CG-473**

## CG-473 STOPCOCK, SOLID PLUG, OBLIQUE, HIGH VACUUM, GLASS PLUG

Solid plug, oblique bore stopcock is precision ground with corresponding numbers on barrel and plug. Lower vacuum chamber is evacuated with a separate hole in the plug which is not in the line of flow.

Part Number	Bore Size (mm)	Plug Size	Sidearm OD (mm)
CG-473-02	4	17.35/50	10

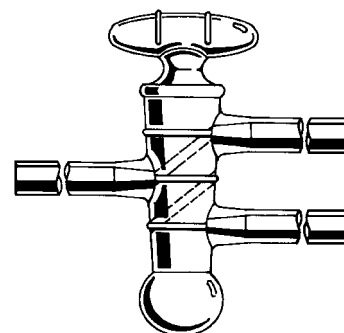
## CG-474 STOPCOCK, HOLLOW PLUG, DOUBLE OBLIQUE, HIGH VACUUM, GLASS PLUG

Hollow plug, double oblique bore stopcock is precision ground with corresponding numbers on barrel and plug. Lower vacuum chamber is evacuated with a separate hole in the plug which is not in the line of flow.

Part Number	Bore Size (mm)	Plug Size	Sidearm OD (mm)
CG-474-01	2	14.5/50	8
CG-474-02	4	16.2/56	10

### Replacement Plug for CG-474 Glass Stopcock:

Part Number	Bore Size (mm)	Plug Size
CG-474-01PO	2	14.5/50
CG-474-02PO	4	16.2/56

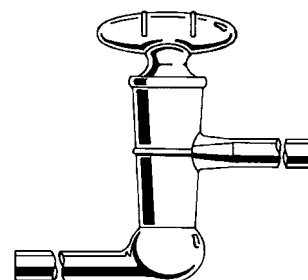


CG-474

## CG-476 STOPCOCK, HOLLOW PLUG, OFFSET, HIGH VACUUM, GLASS PLUG

Hollow plug, high vacuum glass stopcock. Lower sidearm is connected to the vacuum source, thereby reducing the pressure in the hollow plug, holding it in place. Precision ground and hand-lapped with corresponding numbers on barrel and plug.

Part Number	Bore Size (mm)	Plug Size	Sidearm OD (mm)
CG-476-01	2	12.6/40	8
CG-476-02	4	17.35/50	10

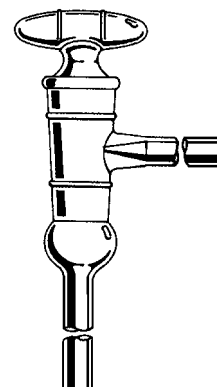


CG-476

## CG-478 STOPCOCK, HOLLOW PLUG, 90°, HIGH VACUUM, GLASS PLUG

Similar to CG-476, but with the sidearms sealed at a 90° angle to each other. Precision ground and hand-lapped with corresponding numbers on barrel and plug.

Part Number	Bore Size (mm)	Plug Size	Sidearm OD (mm)
CG-478-01	2	12.6/40	8
CG-478-02	4	17.35/50	10
CG-478-03	6	17.35/50	12

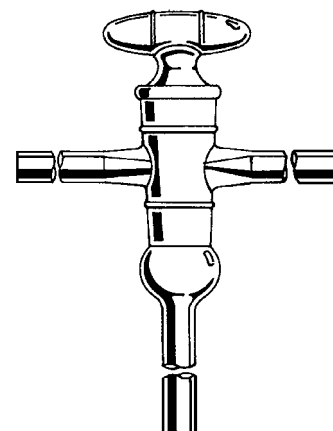


CG-478

## CG-480 STOPCOCK, HOLLOW PLUG, T-TYPE, HIGH VACUUM, GLASS PLUG

Similar to CG-478, but with the addition of an extra horizontal sidearm. Precision ground and hand-lapped with corresponding numbers on barrel and plug.

Part Number	Bore Size (mm)	Plug Size	Sidearm OD (mm)
CG-480-01	2	12.6/40	8
CG-480-02	4	17.35/50	10
CG-480-03	6	17.35/50	12



CG-480