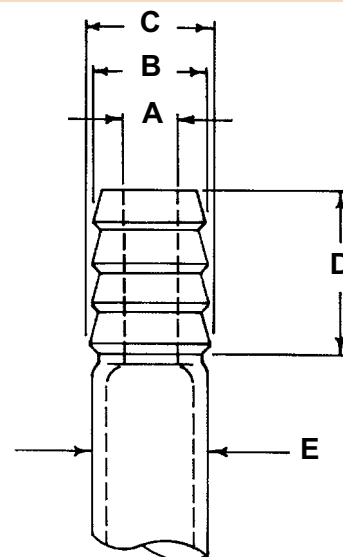


HOSE CONNECTIONS

CG-300 GLASSBLLOWERS HOSE CONNECTIONS

Serrations are tooled on both ends of an 8" length of tubing. Hose connections are SOLD IN PACKAGES OF 10 SERRATED CONNECTORS (5 pieces tooled on both ends).

Part Number	# of Rings	Dimensions (mm)				
		"A"	"B"	"C"	"D"	"E"
CG-300-21	4	2.5	6.5	8	20	8
CG-300-01	3	3.0	8.0	9	16	8
CG-300-02	4	5.0	10.0	11	20	10
CG-300-22	6	6.0	12.0	14	26	12
CG-300-03	4	8.5	13.5	15.5	20	12
CG-300-04	4	10.0	14.5	16.5	20	16
CG-300-05	4	14.0	19.0	20.5	20	19
CG-300-06	4	20.0	25.0	27.5	22	22

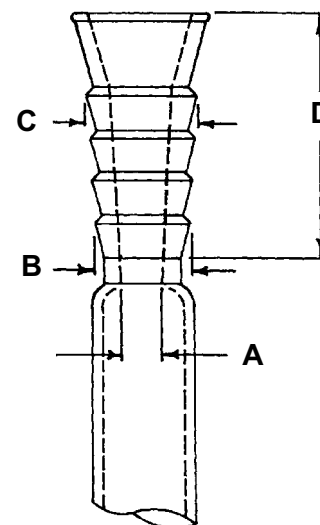


CG-300

CG-301 GLASSBLLOWERS HOSE CONNECTION, DIRECT SEALING

Connections are tooled to form a flare for sealing directly to apparatus using the tubing as a holder. Serrations are tooled on both ends of an 8" length of tubing. Hose connections are SOLD IN PACKAGES OF 10 SERRATED CONNECTORS (5 pieces tooled on both ends).

Part Number	# of Rings	Dimensions (mm)				
		"A"	"B"	"C"	"D"	"E"
CG-301-01	3	4.0	8.0	10	18	10
CG-301-02	4	5.0	12.0	14	24	12
CG-301-10	4	3.0	8.0	11	20	11
CG-301-03	4	8.0	13.5	16	30	16
CG-301-04	7	10.0	22.0	27	56	25

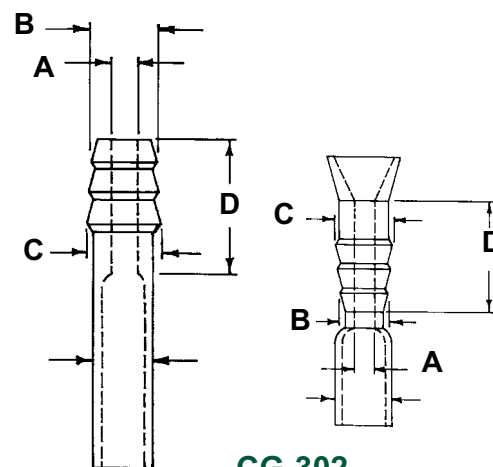


CG-301

CG-302 GLASSBLLOWERS HOSE CONNECTION, MICRO

Used to construct small scale apparatus. Available in direct sealing or regular style. Serrations are tooled on both ends of an 8" length of tubing. Hose connections are SOLD IN PACKAGES OF 10 SERRATED CONNECTORS (5 pieces tooled on both ends).

Part Number	# of Rings	Dimensions (mm)				Type
		"A"	"B"	"C"	"D"	
CG-302-01	3	3.5	8	10	18	Direct Sealing
CG-302-02	3	3.5	8	10	18	Regular



CG-302