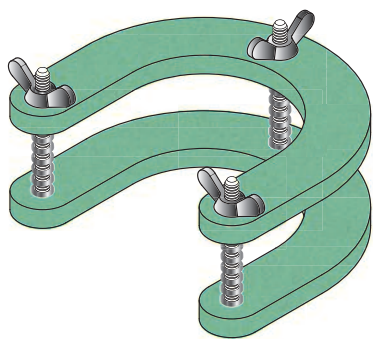


# CLAMPS



**CG-139**

## CG-139 CLAMP, HORSESHOE STYLE

Horseshoe shaped clamp used to connect CG-138 flat o-ring flange. Design allows clamp to be installed or removed easily. Made of cast aluminum with chemically resistant green epoxy coating. Three adjustable tension locking screws ensure even clamping pressure.

Part Number	For Flange Size
CG-139-01	32mm
CG-139-02	57mm
CG-139-03	80mm
CG-139-04	4.5"
CG-139-05	5.5"



**CG-141**

## CG-141 CLAMP FOR DURAN® REACTION FLANGES AND LIDS

Made entirely from stainless steel, these clamps have three sections that firmly hold flanges and lids together. Quick release mechanism has a screw adjustment for tension applied to the flange.

Part Number	For Flange Size
CG-141-01	60
CG-141-02	100
CG-141-03	120
CG-141-04	150
CG-141-05	200



**CG-141-T**

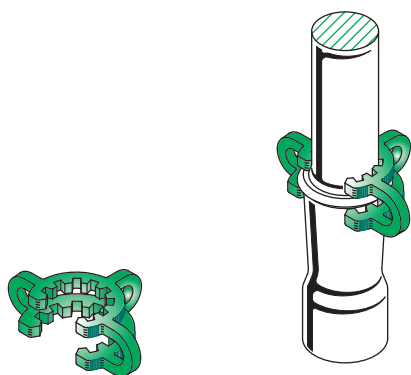
## CG-141-T CLAMP FOR REACTION FLANGES AND LIDS, TEFLON COATED

Similar to CG-141 but with the entire clamp Teflon coated for chemical durability.

Part Number	For Flange Size
CG-141-T-11	60
CG-141-T-12	100
CG-141-T-14	150
CG-141-T-15	200

## CG-145 CLAMP KECK, STANDARD TAPER JOINTS

Made of Delrin®, these clamps are non-corrosive and will not scratch glass. Can be used to 140° C. Color coded for easy identification. SOLD IN PACKAGES OF 10.



**CG-145**

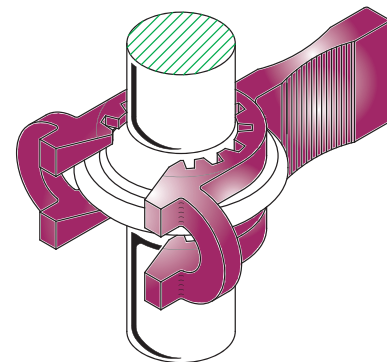
Part Number	Fits Joint Sizes	Color
CG-145-01	10/18, 10/30	Green
CG-145-02	12/18, 12/30	Violet
CG-145-03	14/20, 14/35	Yellow
CG-145-04	19/22, 19/38	Blue
CG-145-05	24/25, 24/40	Green
CG-145-06	29/26, 29/42	Red
CG-145-07	34/28, 34/45	Orange
CG-145-08	40/35, 40/50	Dk. Yellow
CG-145-09	45/50	Brown

# CLAMPS

## CG-145-B CLAMP KECK, SPHERICAL JOINTS

Made of Delrin®, these clamps are non-corrosive and will not scratch glass. Can be used to 140° C. Color coded for easy identification. SOLD IN PACKAGES OF 10.

Part Number	Fits Joint Sizes	Color
CG-145-B-20	12/1, 12/2, 12/5	Violet
CG-145-B-21	18/7, 18/9	Blue
CG-145-B-22	28/12, 28/15	Red
CG-145-B-23	35/20, 35/25	Orange



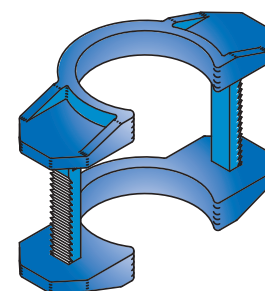
CG-145-B

## CG-145-C CLAMP, SAFETY, ADJUSTABLE

The safety clip is a two piece adjustable clamp used to secure standard taper joints. Made of polyoxymethylene, the clip has excellent chemical resistance. They will not corrode or scratch the glass. Can be used to 150° C. Sold in packages of 10.

*Please note: These clamps can be used with standard taper joints that have a CG-136 style Teflon sleeve between them.*

Part Number	Fits Joint Sizes
CG-145-C-05	24/25, 24/40
CG-145-C-06	29/26, 29/42
CG-145-C-07	34/28, 34/45
CG-145-C-09	45/35, 45/50



CG-145-C

## CG-145-T CLAMP, PTFE, STANDARD TAPER JOINTS

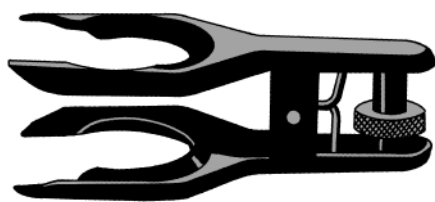
Made entirely of PTFE, these clamps can withstand temperatures up to 250° C and are totally chemically resistant and inert.

Part Number	For Joint Size
CG-145-T-01	14/20
CG-145-T-02	19/22
CG-145-T-03	24/40
CG-145-T-04	29/26-29/42
CG-145-T-05	34/45
CG-145-T-06	45/50



CG-145-T

# CLAMPS

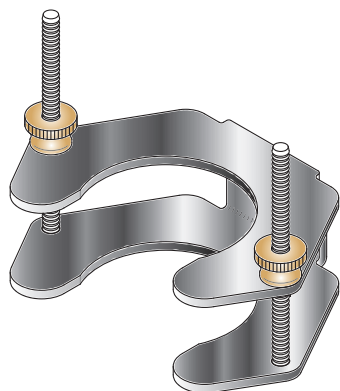


**CG-150**

## CG-150 CLAMP, PINCH, STAINLESS STEEL, SPHERICAL

All pinch clamps are made entirely of stainless steel and supplied with a screw type locking device, except part numbers CG-150-01 and CG-150-03 which do not have a locking device. **Please note: Currently there is no availability for the size 102 pinch clamp.**

Part Number	Size	Part Number	Size
CG-150-01	12	CG-150-07	40
CG-150-02	12-L	CG-150-08	50
CG-150-03	18	CG-150-09	65
CG-150-04	18-L	CG-150-21	75
CG-150-05	28		
CG-150-06	35		

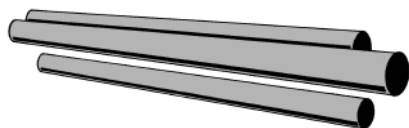


**CG-151**

## CG-151 CLAMP, SPHERICAL JOINT, HORSESHOE STYLE

Horseshoe shaped corrosion-resistant steel clamp for use with spherical ball and socket joints. Clamp has two machine bolts and thumbscrews 180° apart to apply uniform tension. **NOTE: NOT FOR USE WITH CG-124 O-RING JOINTS.**

Part Number	For Joint Size
CG-151-01	12
CG-151-02	18
CG-151-03	28
CG-151-04	35
CG-151-05	40
CG-151-06	65
CG-151-07	75



**CG-3051**

## CG-3051 SUPPORT TUBES, STAINLESS STEEL

These support tubes are made of brilliant polished 304 stainless steel. They have good surface hardness and do not score from clamp binding screws. Tubes are 1/2" (13mm) in diameter and are hollow, reducing weight to half of solid stainless steel rods while maintaining all the advantages of the stainless steel. The walls are 1/16" (1.6mm) are thick, strong, and do not sag. The ends of each tube are capped with polyethylene tight fitting end-caps.

Part Number	Length (in.)
CG-3051-01	6
CG-3051-02	12
CG-3051-03	18
CG-3051-04	24
CG-3051-05	36
CG-3051-06	48
CG-3051-07	60
CG-3051-08	72
CG-3051-09	96

*NOTE: Special lengths and large quantity discounts are available. Please contact us for details.*

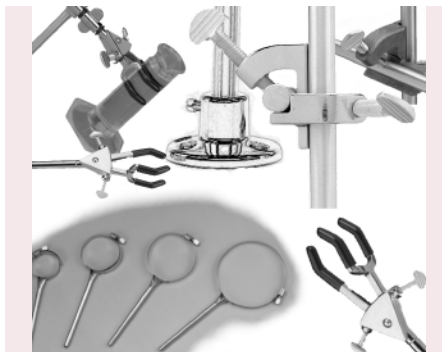
## LabJaws Laboratory Clamps

LabJaws offers the highest quality, most extensive and modern line of laboratory clamps, connectors, flow control devices, and accessories available anywhere. The unique closed yoke design of the patented UltraJaws<sup>SM</sup> clamps minimizes contamination and corrosion. Clamps firmly grip laboratory apparatus, yet yield to gentle adjustments.

Combined with innovative designs and ergonomic features throughout the entire product line, LabJaws offers extensive solutions to utilitarian and unique laboratory needs through a variety of product choices, features and flexibility.

LabJaws Feature:

- High tensile strength zinc-alloy construction
- Nickel-plated surfaces resist corrosion
- Revolutionary and adaptable designs
- Precision machining
- Modern look and ergonomic feel
- Accurate adjustments, reliable grips
- Patented UltraJaws<sup>SM</sup>



### CG-9202 CLAMP, TWO-PRONG EXTENSION

Nickel-plated zinc alloy clamp has high tensile strength and corrosion resistance. Fully enclosed stainless steel springs provide smooth operation. Two-prong clamps are available in single and dual adjustment. The medium clamp has a 1 1/2" (38mm) maximum grip size with a 1/2" (13mm) O.D. extension arm. The large clamp has a 2 1/2" (64mm) maximum grip size with a 5/8" (16mm) O.D. extension arm. Complete with removable vinyl and fiberglass sleeve covers.

#### Single Adjust:

Part Number	Size	Overall Length
CG-9202-01	Medium	8" (200mm)
CG-9202-02	Large	9" (230mm)

#### Dual Adjust:

Part Number	Size	Overall Length
CG-9202-03	Medium	8" (200mm)
CG-9202-04	Large	9" (230mm)



CG-9202

### CG-9205 CLAMP, THREE-PRONG EXTENSION

Nickel-plated zinc alloy clamp has high tensile strength and corrosion resistance. Fully enclosed stainless steel springs provide smooth operation. Three-prong clamps are available in single and dual adjustment. The small clamp has a 1" (25mm) maximum grip size with a 1/4" (6 mm OD) extension arm. The medium clamp has a 1 1/2" (38mm) maximum grip size with a 1/2" (13mm) O.D. extension arm. The large clamp has a 2 1/2" (64mm) maximum grip size with a 5/8" (16mm) O.D. extension arm. Complete with removable vinyl and fiberglass covers for easy cleaning.

#### Single Adjust:

Part Number	Size	Overall Length
CG-9205-01	Small	6 1/2" (170mm)
CG-9205-02	Medium	8 3/4" (220mm)
CG-9205-03	Large	10 1/2" (270mm)

#### Dual Adjust:

Part Number	Size	Overall Length
CG-9205-04	Small	6 1/2" (170mm)
CG-9205-05	Medium	8 3/4" (220mm)
CG-9205-06	Large	10 1/2" (270mm)



CG-9205

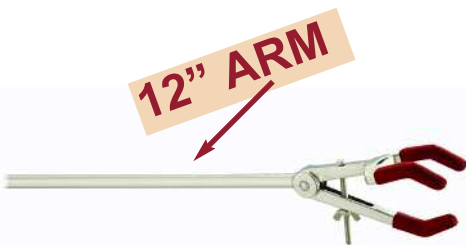
# CLAMPS

## CG-9205-E CLAMP, THREE PRONG EXTENSION, 12" ARM

Same as CG-9205, but made with a 12" long arm to allow the clamp to be used to hold items in larger setups. The medium clamp has a 1 1/2" (38mm) maximum grip size with a 1/2" (13mm) O.D. extension arm. The large clamp has a 2 1/2" (64mm) maximum grip size with a 5/8" (16mm) O.D. extension arm. Complete with removable vinyl and fiberglass covers for easy cleaning.

Part

Number	Description
CG-9205-E-10	Medium, Three Prong, 12" Arm
CG-9205-E-11	Larger, Three Prong, 12" Arm



CG-9205-E

## CG-9210 CLAMP, THREE-PRONG EXTENSION, WITH OPEN YOKE

Similar to the CG-9205 series with an open yoke to allow full use of the clamp depth.

### Single Adjust:

Part Number	Size	Overall Length
CG-9210-01	Small	6 1/2" (170mm)
CG-9210-02	Medium	8 3/4" (220mm)
CG-9210-03	Large	10 1/2" (270mm)

### Dual Adjust:

Part Number	Size	Overall Length
CG-9210-04	Small	6 1/2" (170mm)
CG-9210-05	Medium	8 3/4" (220mm)
CG-9210-06	Large	10 1/2" (270mm)



CG-9210

## CG-9212 CLAMP, TWO-PRONG SWIVEL

Single adjustment clamp with shaft wing nut to allow clamp jaw movement through 360°. Rod holder grips up to 3/4" (19mm) diameter. The medium clamp has a 1 1/2" (38mm) maximum grip size with a 1/2" (13mm) O.D. extension arm. The large clamp has a 2 1/2" (64mm) maximum grip size with a 5/8" (16mm) O.D. extension arm. Complete with removable vinyl and fiberglass covers for easy cleaning.

Part Number	Clamp Size
CG-9212-01	Medium
CG-9212-02	Large



CG-9212

## CG-9214 FLEXIBLE CLAMP

Flexible clamp for use in clamping laboratory apparatus that are normally difficult to hold due to their size, shape or odd angles. Unique flexible arm can be placed in virtually any position or angle. Available with a choice of a 12 or 18" long flexible arm. Complete item consists of a 2 prong clamp head, 3 prong clamp head, spring clamp head, flexible arm and a lab frame connector with utility wrench. Base plate and bench clamps are available as optional items.

### Complete Clamp Kit:

Part Number	Description
CG-9214-01	Flexible Clamp Kit, 12" Arm
CG-9214-02	Flexible Clamp Kit, 18" Arm

### Replacement Components:

Part Number	Description
CG-9212-20	2 Prong Clamp, holds item up to 66mm diameter
CG-9214-21	3 Prong Clamp, holds items to 58mm diameter
CG-9214-22	Spring Clamp, holds items to 13mm diameter
CG-9214-23	12" Flexible Arm
CG-9214-24	18" Flexible Arm
CG-9214-25	Lab Frame Connector



Base Plate



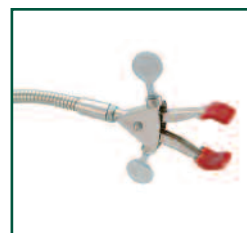
Bench Clamp

### Optional Items:

Part Number	Description
CG-9214-10	5" x 5" Base Plate
CG-9214-11	Bench Clamp



### Clamps Supplied With Kit



CG-9212-20

**2-prong Clamp Head** - constructed of cast alloy with dual adjust for greater flexibility. Ideal for holding straight-sided apparatus, such as burets, thermometers, beakers and flask necks. Provided with vinyl and fiberglass sleeves. Fiberglass sleeves are recommended for higher temperature applications up to 140°C.



CG-9212-21

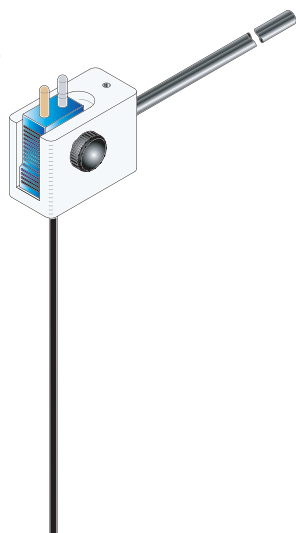
**3-prong Clamp Head** - more versatile and ideal for holding irregular shaped objects. Constructed of cast alloy with dual adjust for greater flexibility. Provided with vinyl and fiberglass sleeves. Fiberglass sleeves are recommended for high temperature applications up to 140°C.



CG-9212-22

**Spring Clamp Head** - features locking wing nuts that apply tension to the nickel plated jaws. Designed to hold thermometers, glass tubes and temperature probes.

# CLAMPS



**CG-3499-H**

## CG-3499-H CLAMP, THERMOCOUPLE, POLYPROPYLENE

Provides the easiest and most secure way to hold thermocouple probes in the laboratory. Accepts 1/16", 1/8" and 1/4" diameter probes. The thermocouple probe is inserted through the opening at the bottom of the clamp and the thumbscrew is tightened against the plug. Stainless steel support arm is 1/4" diameter x 8" long.

Part

<u>Number</u>	<u>Description</u>
<b>CG-3499-H-10</b>	<b>Thermocouple Clamp</b>



**CG-9215**

## CG-9215 CLAMP, THREE-PRONG SWIVEL

Dual adjustment clamp with shaft wing nut to allow clamp jaw movement of 360°. Rod holder grips up to 3/4" (19mm) diameter. The clamp has a 2 1/4" (57mm) maximum grip size with a 5/8" (16mm) O.D. extension arm. Complete with removable vinyl and fiberglass covers.

Part

<u>Number</u>	<u>Description</u>
<b>CG-9215-01</b>	



**CG-9220**

## CG-9220 CLAMP, CHAIN

Small and large size chain clamps to accommodate up to 6 1/2" (170mm) O.D. and 11 1/2" (290mm) O.D. respectively. Quick slip-on chain connection has large, easy-to-turn adjusting knob. Extension arm has a length of 6" (150mm). Grip is vinyl coated.

Part	Clamp
<u>Number</u>	<u>Size</u>
<b>CG-9220-01</b>	<b>Small</b>
<b>CG-9220-02</b>	<b>Large</b>



**CG-9221**

## CG-9221 CLAMP, COLUMN

Ideal for Chromatography columns and large cylindrical glassware, the column clamp is constructed of stainless steel. Large, flat thumb screw on the worm drive permits tightening and removing.

Part	Clamping
<u>Number</u>	<u>Range mm</u>
<b>CG-9221-01</b>	<b>64 to 89</b>
<b>CG-9221-02</b>	<b>95 to 114</b>
<b>CG-9221-03</b>	<b>121 to 140</b>
<b>CG-9221-04</b>	<b>140 to 165</b>

## CG-9231 CLAMP, NESTER

Strong brass chromed chain and band with stainless steel rod for holding distillation columns, odd-shaped glassware, etc. Clamp holds apparatus with diameters from 38mm to 102mm.

Part  
Number  
**CG-9231-01**



**CG-9231**

## CG-9239 SLEEVE, CLAMP REPLACEMENT

Part Number	Clamp Style	Material
CG-9239-01	Medium 2 Prong	Vinyl
CG-9239-02	Large 2 Prong	Vinyl
CG-9239-03	Small 3 Prong	Vinyl
CG-9239-04	Medium 3 Prong	Vinyl
CG-9239-05	Large 3 Prong	Vinyl
CG-9239-06	Medium 2 Prong	Fiberglass
CG-9239-07	Large 2 Prong	Fiberglass
CG-9239-08	Small 3 Prong	Fiberglass
CG-9239-09	Medium 3 Prong	Fiberglass
CG-9239-10	Large 3 Prong	Fiberglass



**CG-9239**

## CG-9240 HOSECOCK

For accurate regulation or interruption of fluid flow, these precision machined hosecocks are made to resist rust and corrosion. Adjustment screw with oversized head permits accurate regulation with easy one-hand operation. Used for tubing up to 19mm, the hosecocks feature built-in side lugs for foot mounting and a tubing retainer screw.

Part  
Number  
**CG-9240-01**



**CG-9240**

## CG-9246 PINCHCOCK

Designed to quickly start and stop fluid flow, pinchcocks provide complete closure without damaging the tubing. They operate with a simple squeeze and accommodate up to 12mm O.D. tubing.

Part  
Number  
**CG-9246-01**



**CG-9246**

# CLAMPS



**CG-9250**

## CG-9250 CLAMP HOLDER

Nickel-plated zinc alloy clamp holder has high tensile strength and corrosion resistance. Useful wherever clamping at 90° is required. Large thumb screws allow easy adjusting. Maximum rod grip size is 3/4" (19mm).

Part  
Number  
**CG-9250-01**

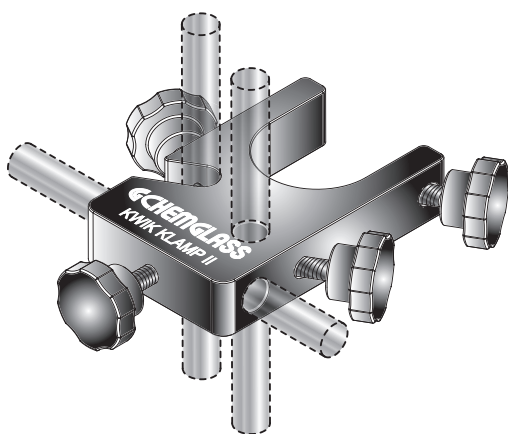


**CG-9252**

## CG-9252 CLAMP HOLDER, LARGE

Heavy duty holder features greater grip strength and the ability to hold flat panels or shelves up to 3/4" (19mm) thick. Large thumb screws allow easy adjusting. Maximum grip size is 3/4" (19mm).

Part  
Number  
**CG-9252-01**



**CG-9253**

## CG-9253 KWIK KLAMP II, UNIVERSAL

Universal Kwik Klamp II is constructed of aluminum that has a chemically resistant Hardcote and PTFE anodized finish. Versatile design can be used on 1/2" OD Rod. The small Klamp attaches to 3/4" pipe (1.05" OD). The large Klamp attaches to 1" pipe (1.315" OD). The four clamping knobs fit comfortably in the hand and are large enough so that tightening applies sufficient gripping strength to hold clamps or rods. Useful in attaching temperature monitors or controllers, additional supports and clamps. The optional CG-3498-03 1/2" OD rod, bent 90° is necessary when supporting a temperature monitor or controller to a reactor stand or laboratory hood lattice.

### Features:

- Heavy Duty Design
- Corrosion Resistant
- Large Clamping Knobs
- Universal Design Securely Fastens To 10L Through 100L Reactor Frames And Stationary Or Mobile Benchtop Stands
- 1/2" Diameter Rod Commonly Used For Lattice In Hoods
- Clamps And Support Rods Can Be Mounted Horizontally Or Vertically
- Secure Up To Four Different Rods, Clamps Or Supports

Part Number	Clamp Type	For Use with Support Frame
CG-9253-10	Small	CG-1950, CG-1951, CG-1965-X, CG-1968-F
CG-9253-20	Large	CG-1968-X
CG-9253-30	Ridge	CG-1968-X

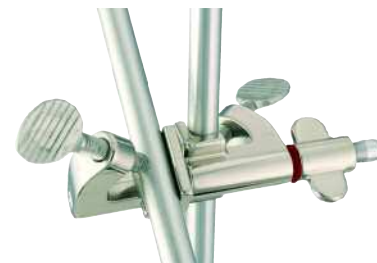
### Optional Components:

Part Number	Description
CG-3498-03	1/2" OD S.S. Rod, Bent 90°

## CG-9255 SWIVEL HOLDER

Two clamp holders with a center swivel to allow tilting of clamp at any angle in parallel planes. Outside adjustment screw permits close proximity between items being held. Maximum grip size is 3/4" (19mm).

Part  
Number  
**CG-9255-01**

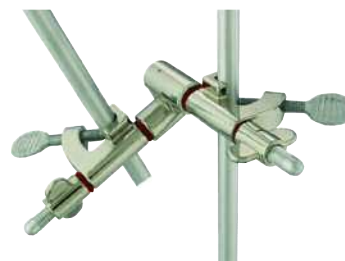


**CG-9255**

## CG-9257 CLAMP HOLDER, ALL POSITION

Double swivel design allows clamp holder to adjust at any angle in any plane. Holders are 90° to each other, joined by a right angle connector, allowing 360° rotation. Outside adjustment screws permit close proximity between items being held. Maximum rod grip size is 3/4" (19mm).

Part  
Number  
**CG-9257-01**



**CG-9257**

## CG-9260 LATTICE CONNECTOR

Angled adjustment screws allow easy set-up and prevent slippage or misalignment. Two U-shaped slots permit rods or clamps of 1/2" (13mm) maximum diameter to be joined in a 90° corner joint or cross-connection with components in close proximity to minimize wasted space. Each rod or clamp adjusts independently for easy installation.

Part  
Number  
**CG-9260-01**



**CG-9260**

## CG-9262 HOOK CONNECTOR

Easy-to-use connector allows one-handed assembly of two components with one adjustment screw. Maximum diameter of 1/2" (13mm) for each component.

Part  
Number  
**CG-9262-01**



**CG-9262**

## CG-9264 S-CONNECTOR

Similar to the CG-9260-01 lattice connector, the "S" connector features ergonomic contouring for easy adjustment with angled set screws for maximum grip against rods or clamps.

Part  
Number  
**CG-9264-01**



**CG-9264**

# CLAMPS



**CG-9268**

## CG-9268 MULTI-GRIP CONNECTOR

Total adjustment capability within one connector. Permits lattice adjusting after construction. Holds rods at 90° while allowing horizontal and vertical adjustment. Side and front holes accommodate a variety of configurations. Accepts rod size 1/2" (13mm).

Part  
Number  
**CG-9268-01**



**CG-9274**

## CG-9274 LAB FRAME FOOT

Permanent lattice mounting to bench tops, floors or walls. Accommodates 1/2" (13mm) diameter rod. Supplied with three screws.

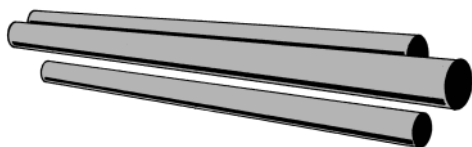
Part  
Number  
**CG-9274-01**

## CG-3051 SUPPORT TUBES, STAINLESS STEEL

These support tubes are made of brilliant polished 304 stainless steel. They have good surface hardness and do not score from clamp binding screws. Tubes are 1/2" (13mm) in diameter and are hollow, reducing weight to half of solid stainless steel rods while maintaining all the advantages of the stainless steel. The walls are 1/16" (1.6mm) are thick, strong, and do not sag. The ends of each tube are capped with polyethylene tight fitting end-caps.

Part <u>Number</u>	Length <u>in.</u>
<b>CG-3051-01</b>	<b>6</b>
<b>CG-3051-02</b>	<b>12</b>
<b>CG-3051-03</b>	<b>18</b>
<b>CG-3051-04</b>	<b>24</b>
<b>CG-3051-05</b>	<b>36</b>
<b>CG-3051-06</b>	<b>48</b>
<b>CG-3051-07</b>	<b>60</b>
<b>CG-3051-08</b>	<b>72</b>
<b>CG-3051-09</b>	<b>96</b>

*NOTE: Special lengths and large quantity discounts are available. Please contact us for details.*



**CG-3051**